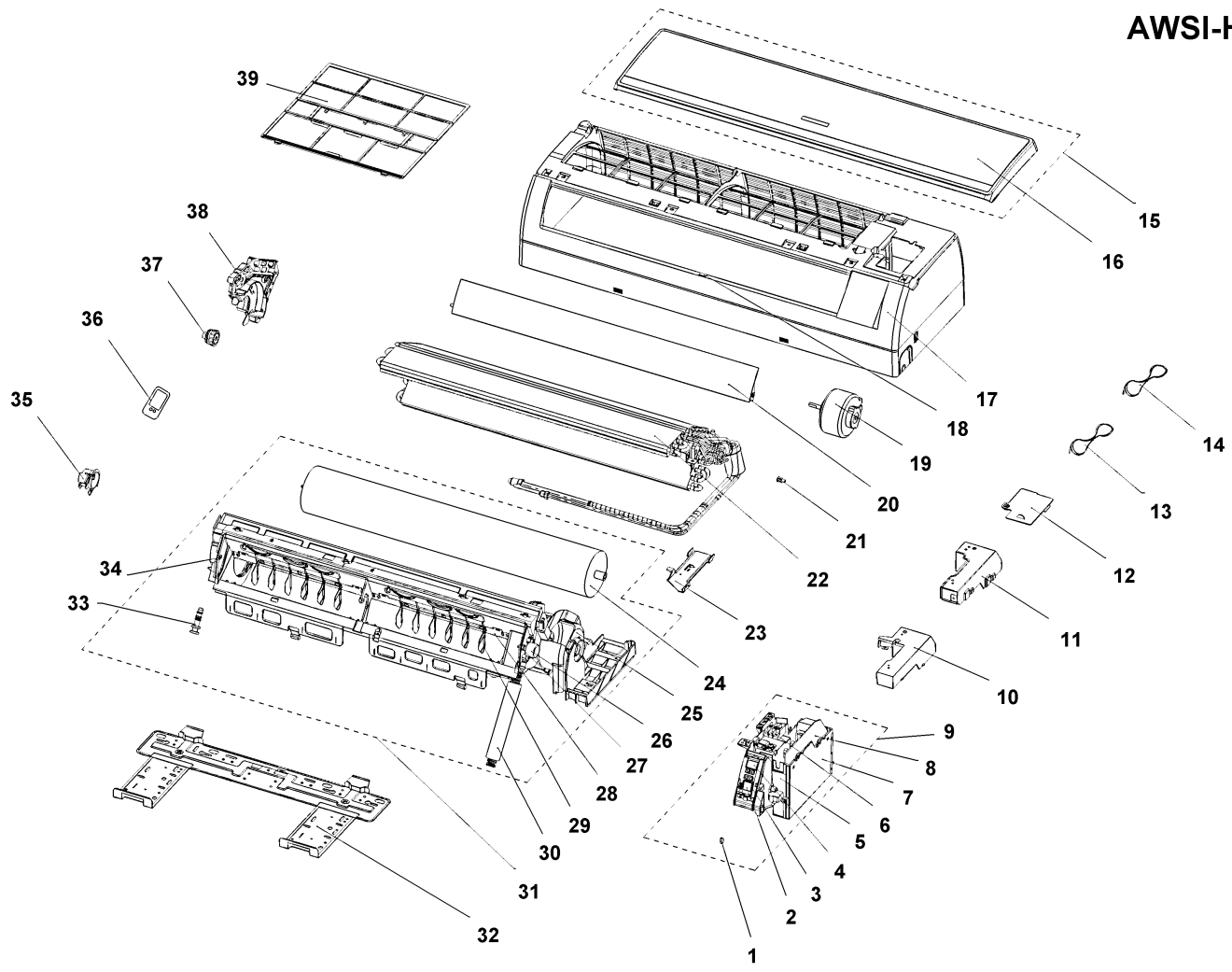


AWSI-HDDE018-N11



AWSI-HDDE018-N11 - 7SP022906

P os.	Part No.	Description	Quant.	U n it	Stock dispo		Matching 2	Matching 3
	1PR070142	Temperature Sensor			0	0		
	1PR070347	Temperature Sensor			0	0		
1	1PR050048	Shunt	1		0	0		
2	1PR190971	(CNR) Cover	1		0	0		
3	1PR190326	(CNR) Cover	1		0	0		
4	1PR031204	Display board	1		0	0		
5	1PR100419	Electrical box	1		0	0		
6	G4201026 601	(CNR)Terminal block	1		0	0		
7	1PR160134	(B-C)Electrical box	1		0	0		
8	1PR030407	Electronic board assy	1		0	0		
9	1PR030407	Electronic board assy	1		0	0		
10	1PR160391	Cover	1		0	0		
11	1PR160147	(B-C) Cover	1		0	0		
12	G20122142	(CNR) Cover	1		0	0		
13	G4002046 421	(CNR) Power Cord	1		0	0		
14	G40020538	Connecting Cable	1		0	0		
15	1PR190748	Panel	1		0	0		
16	1PR190094	Panel	1		0	0		
17	1PR190749	Panel	1		0	0		
18	1PR190309	Screw cover	2		0	0		
19	1PR060470	Fan Motor DCI IDU	1		0	0		
20	1PR110352	Louver	1		0	0		
21	1PR160026	Fixing	1		0	0		
22	1PR150405	Evaporator	1		0	0		
23	G26112164	(CNR) Clamp	1		0	0		
24	1PR110279	Turbine	1		0	0		
25	1PR160863	Fan motor support	1		0	0		
26	1PR060598	Louver motor	1		0	0		

