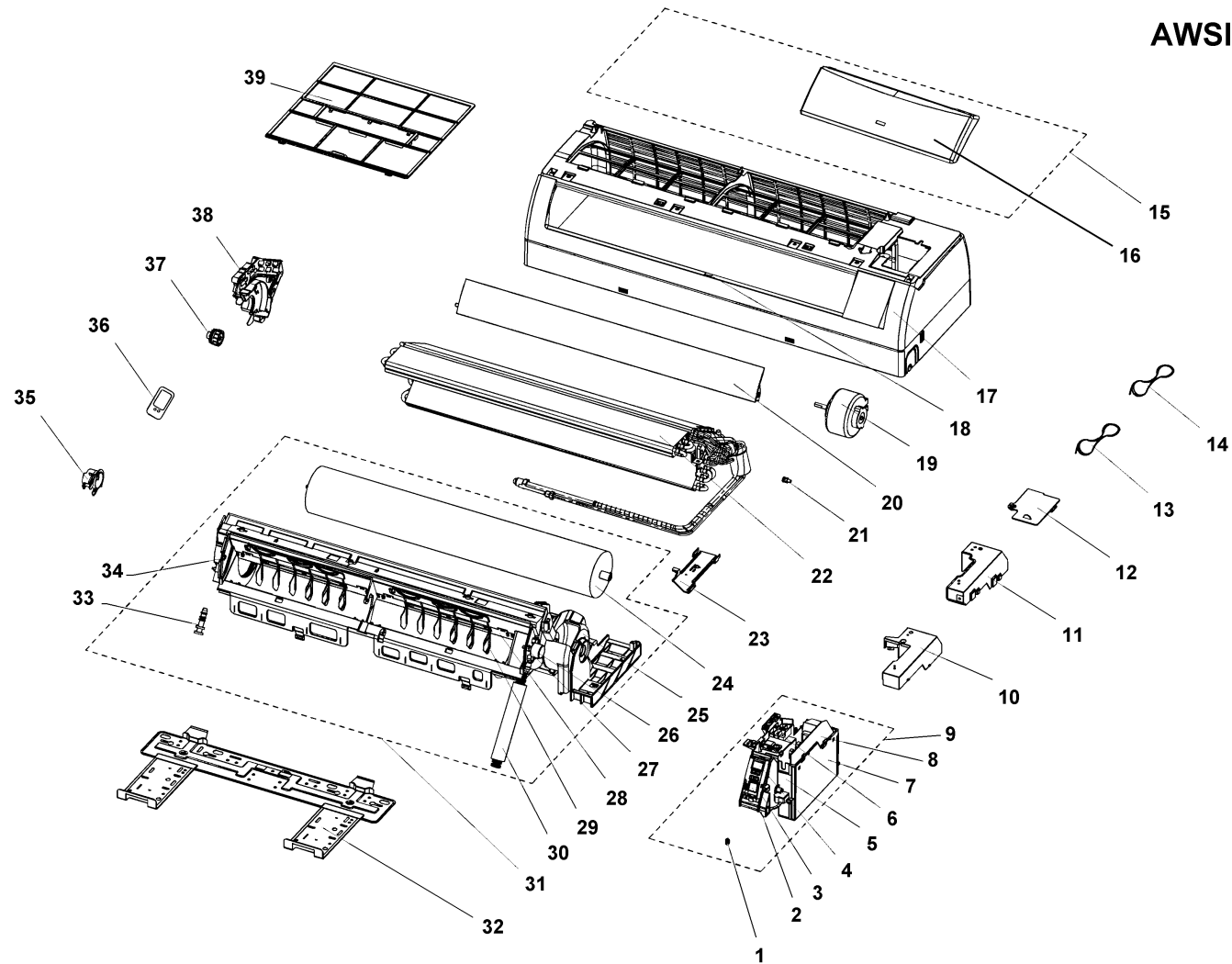


AWSI-HDDE024-N11



**AWSI-HDDE024-N11 - 7SP022907**

<b>P os.</b>	<b>Part No.</b>	<b>Description</b>	<b>Quant.</b>	<b>U n it</b>	<b>Stock dispo</b>		<b>Matching 2</b>	<b>Matching 3</b>
	1PR070142	Temperature Sensor			0	0		
	1PR070342	Temperature Sensor			0	0		
1	1PR050009	Shunt	1		0	0		
2	1PR190971	(CNR) Cover	1		0	0		
3	1PR190326	(CNR) Cover	1		0	0		
4	1PR031204	Display board	1		0	0		
5	1PR100419	Electrical box	1		0	0		
6	1PR100429	Terminal board	1		0	0		
7	1PR160134	(B-C)Electrical box	1		0	0		
8	1PR031139	Electronic board	1		0	0		
9	1PR031093	Eletronic box assy	1		0	0		
10	1PR160391	Cover	1		0	0		
11	1PR160147	(B-C) Cover	1		0	0		
12	G20112081	(CNR) Electrical box cover	1		0	0		
13	G4002046 418	(CNR) Power Cord	1		0	0		
14	G40020538	Connecting Cable	1		0	0		
15	1PR190744	Panel	1		0	0		
16	1PR190741	Panel	1		0	0		
17	1PR190746	Panel	1		0	0		
18	G24252016	(B-C)Screw Cover	3		0	0		
19	1PR060150	Fan Motor	1		0	0		
20	1PR110350	Guide	1		0	0		
21	1PR160026	Fixing	2		0	0		
22	1PR150406	Evaporator	1		0	0		
23	G26112188	(CNR)Support	1		0	0		
24	1PR110276	Turbine	1		0	0		
25	1PR160645	Fan motor support	1		0	0		
26	1PR090009	Louver motor	1		0	0		

AWSI-HDDE024-N11 - 7SP022907

<b>P os.</b>	<b>Part No.</b>	<b>Description</b>	<b>Quant.</b>	<b>U n it</b>	<b>Stock dispo</b>		<b>Matching 2</b>	<b>Matching 3</b>
27	1PR160244	Reducer	1		0	0		
28	1PR160264	Louver	1		0	0		
29	1PR110351	Louver	3		0	0		
30	1PR160705	Condensate tube	1		0	0		
31	G22202157	(CNR) Ventilation kit	1		0	0		
32	1PR160659	Support mural	1		0	0		
33	1PR160832	Rubber Plug	1		0	0		
34	1PR160201	Reducer	1		0	0		
35	1PR100420	Support	1		0	0		
36	7ACEL1791	Remote controller	1		0	0		
37	1PR160226	Bearing	1		0	0		
38	G24212103	(CNR)Support	1		0	0		
39	1PR120123	Air filter	2		0	0		